

Last Revision

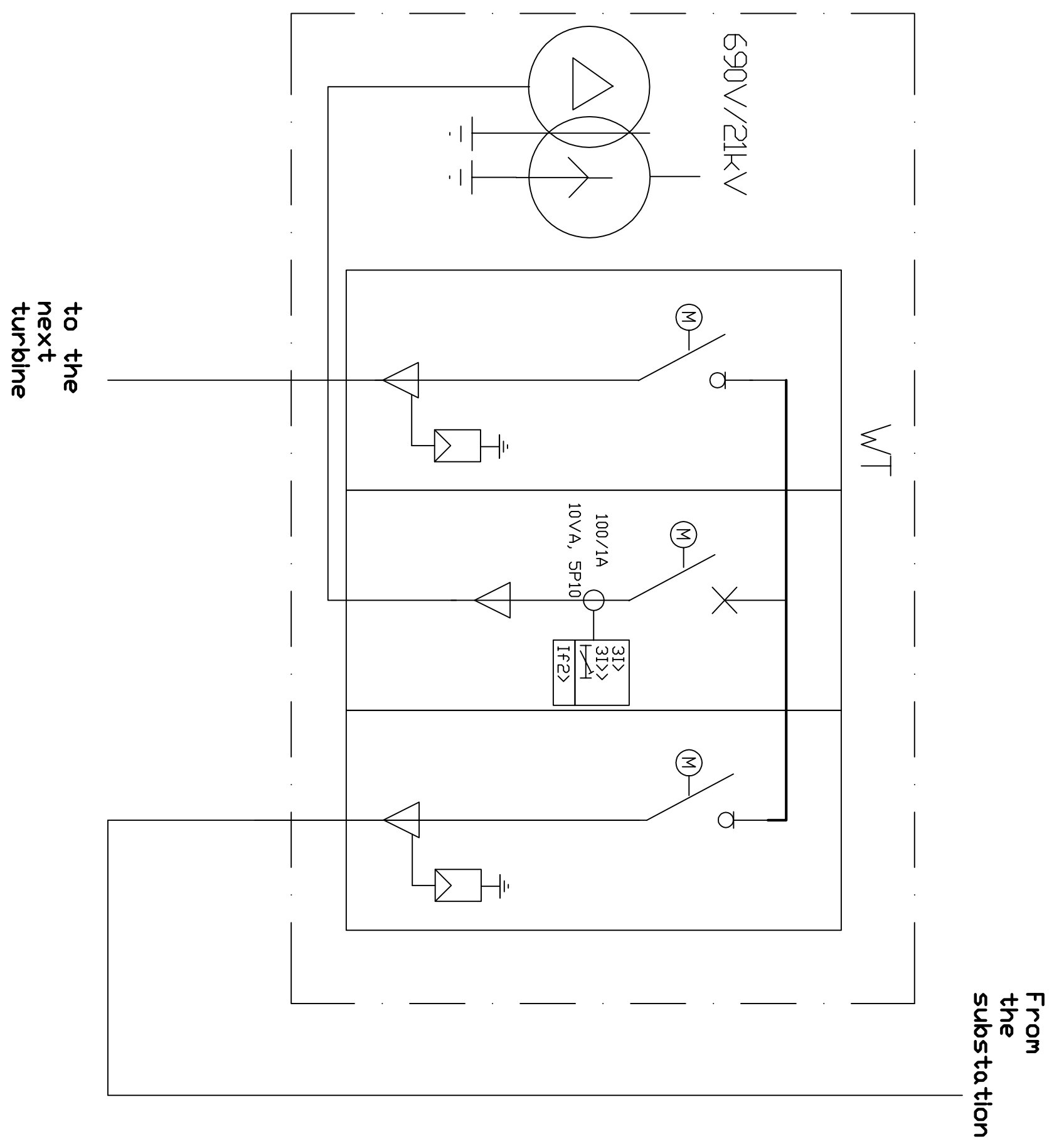
CN code

LIITE 6



Designer	marmel	Product	
Checked		Paper size	A3
Approved		Part code	
		Revision	16/1/2012

Voimalan suojaus		Position	
		Sheet	
		Code	



11 12 13 14 15 16 17 18 19 20 21 22 23 24 25 26 27 28